

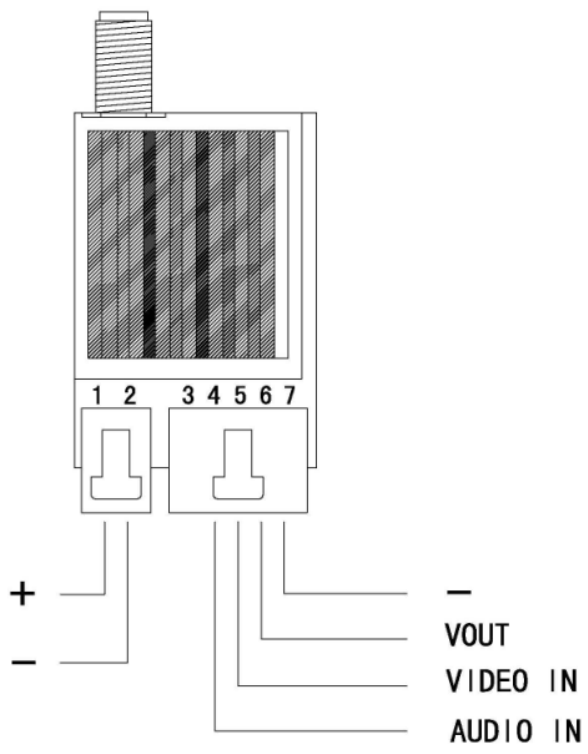
**PRODUCT SPECIFICATION**

<b>MODE: TS351</b>					
<b>5.8G 200mW 8 Channel AV Transmitter Module</b>					
	<b>Modulate</b>	<b>Wideband FM Modulate</b>			
	<b>Video Format</b>	<b>NTSC/PAL</b>			
	<b>Characteristics</b>	<b>Value</b>			<b>Units</b>
		<b>Min.</b>	<b>Typ.</b>	<b>Max.</b>	
<b>1</b>	<b>Output Impedance</b>	---	50	---	Ohm
<b>2</b>	<b>Output Power</b>	21	22	23	dBm
<b>3</b>	<b>Channel Frequency</b>				
	<b>CH1</b>	---	5705	---	MHz
	<b>CH2</b>	---	5685	---	MHz
	<b>CH3</b>	---	5665	---	MHz
	<b>CH4</b>	---	5645	---	MHz
	<b>CH5</b>	---	5885	---	MHz
	<b>CH6</b>	---	5905	---	MHz
	<b>CH7</b>	---	5925	---	MHz
	<b>CH8</b>	---	5945	---	MHz
<b>4</b>	<b>Operating Voltage</b>	7.0	12	15	V
<b>5</b>	<b>Supply current</b>	---	150	---	mA
<b>6</b>	<b>VOUT Voltage</b>	<b>VOUT = DC IN</b>			V
<b>7</b>	<b>Operating Temperature</b>	-10	---	+85	°C
<b>8</b>	<b>Video Band Width</b>	0	---	8.0	MHz
<b>9</b>	<b>Audio carrier Frequency</b>	---	6.5	---	MHz
<b>10</b>	<b>Video Input Level</b>	0.8	1.0	1.2	Vp-p
<b>11</b>	<b>Video Input Impedance</b>	---	75	---	Ohm
<b>12</b>	<b>Audio Input Level</b>	0.5	---	2.0	Vp-p
<b>13</b>	<b>Audio Input Impedance</b>	---	10K	---	Ohm
<b>14</b>	<b>Weight</b>	---	25	---	g
<b>15</b>	<b>Antenna Connector</b>	<b>SMA Connector</b>			
<b>16</b>	<b>Dimensions (L x W x H)</b>	<b>55x26x17 mm</b>			

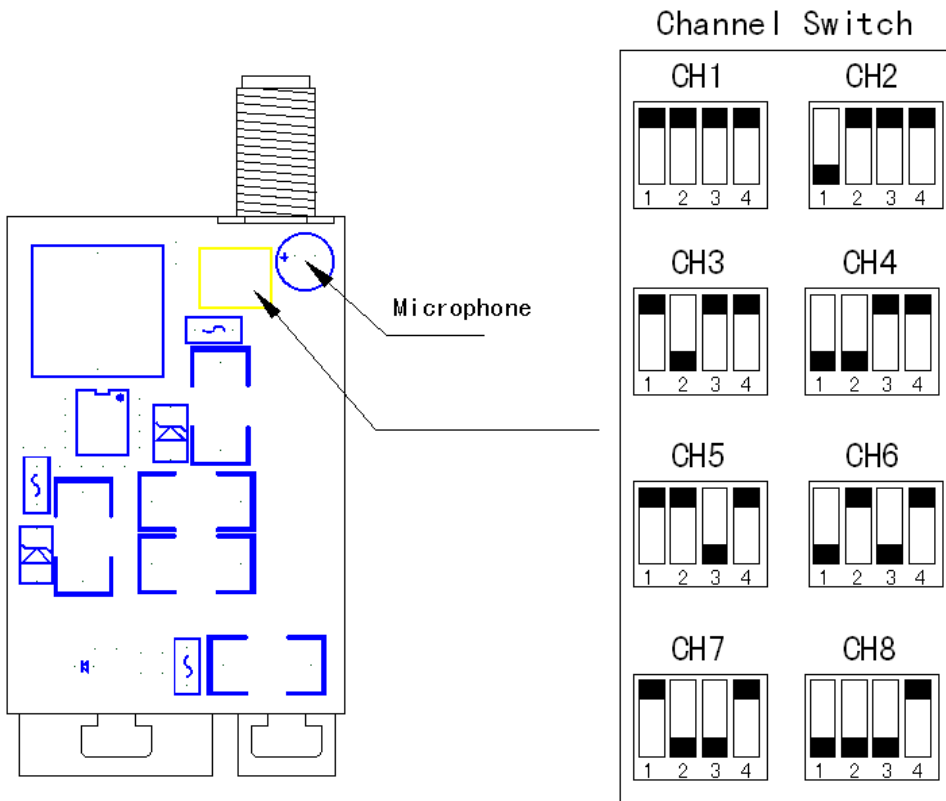
## 1、Picture



## 2、Pin Descriptions



### 3、Frequency Selection



### 4、Application examples

