

All Itron 5.8GHz transmitters have a four position DIP switch to select the channel and control the battery saver cell count with the exception of the stinger 25 which does not have a battery saver.

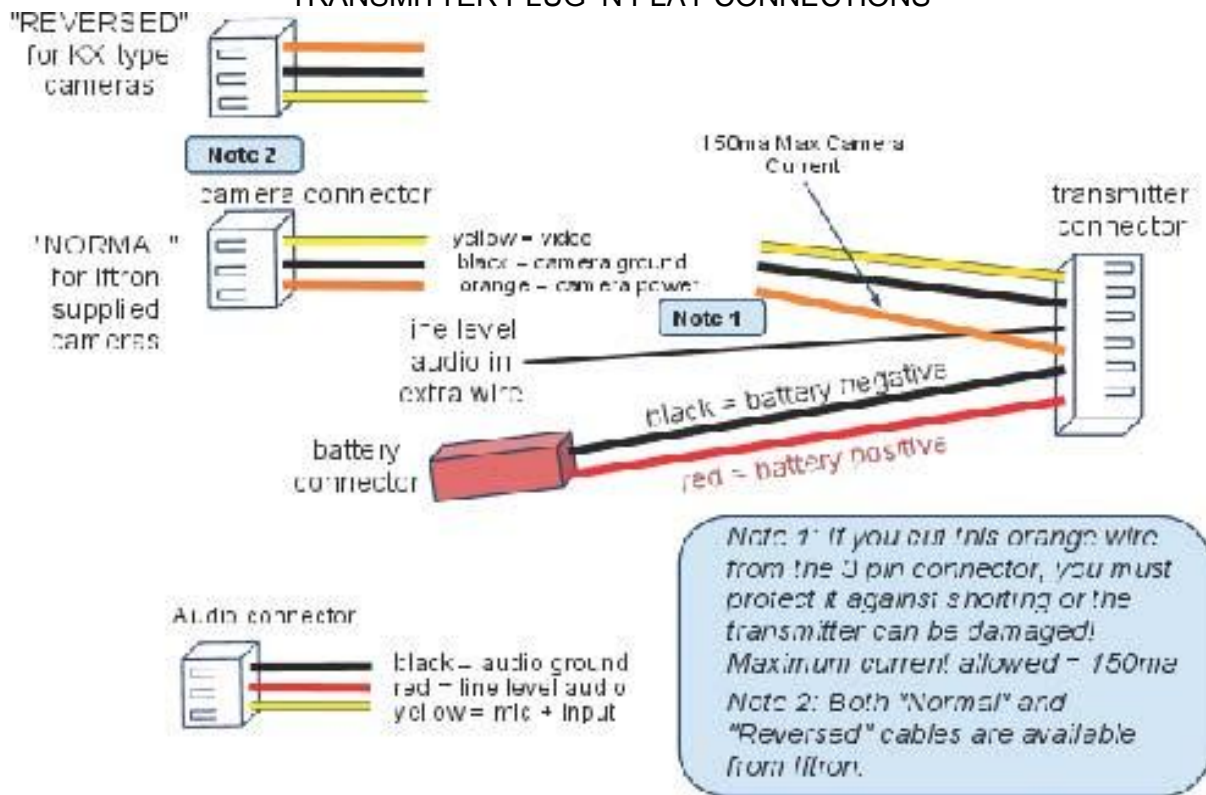
Channel	SW3	SW2	SW1
1	ON	ON	ON
2	ON	ON	OFF
3	ON	OFF	ON
4	ON	OFF	OFF
5	OFF	ON	ON
6	OFF	ON	OFF
7	OFF	OFF	ON

5.740 Ghz
 5.760 Ghz
 5.780 Ghz
 5.800 Ghz
 5.820 Ghz
 5.840 Ghz
 5.860 Ghz

BATTERY SAVER (all but Stinger 25mw) This will shut down the transmitter and a camera if powered from the transmitter when the battery gets low. To defeat this feature, use a 3 cell battery and set the switch to 2 cells

SW4	Battery saver mode
ON	Off at 5.4V, back on at 5.7V (2 cell)
OFF	Off at 8.4V, back on at 8.7V (3 cell)

TRANSMITTER PLUG 'N PLAY CONNECTIONS



TRANSMITTER CURRENT REQUIREMENTS

Note: Never operate these transmitters without an antenna!

Cells / Voltage	Mondo (500mw)	Stinger (250mw)	Stinger (100mw)
2 / 7.4V	510ma	470ma	
3 / 11.1V	340ma	280ma	
4 / 14.8V	250ma		

RECEIVER CURRENT REQUIREMENTS

Cells / Voltage	YellowJacket Pro 5.8	Nano 5.8
2 / 7.4V	400ma	280ma
3 / 11.1V	260ma	280ma